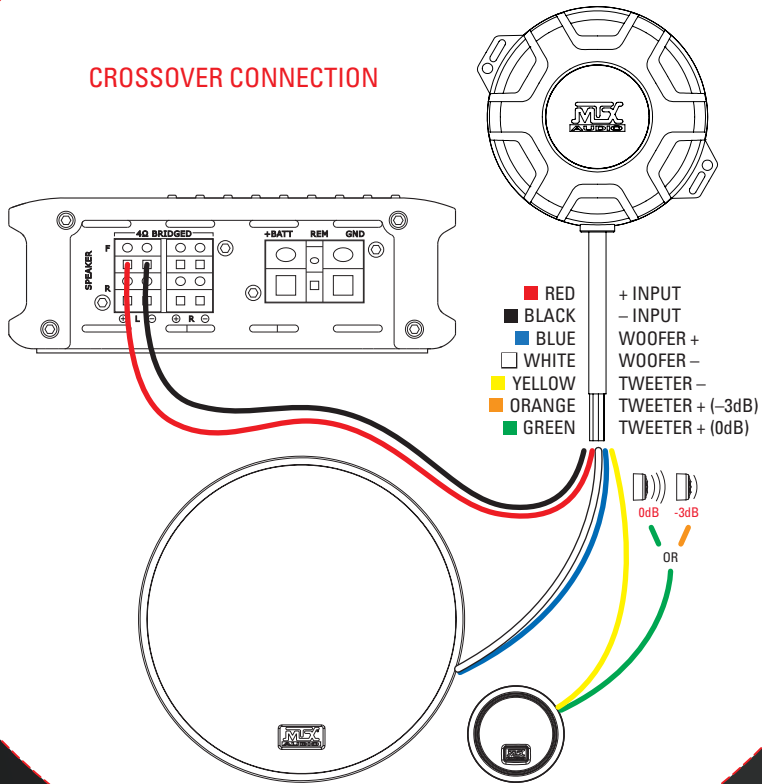


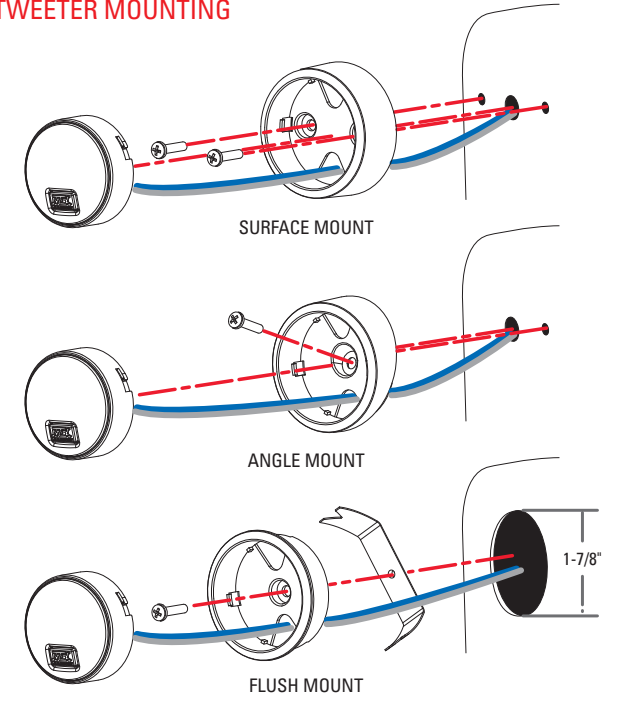
**SS1 COMPONENT SPEAKERS**

**CROSSOVER CONNECTION**

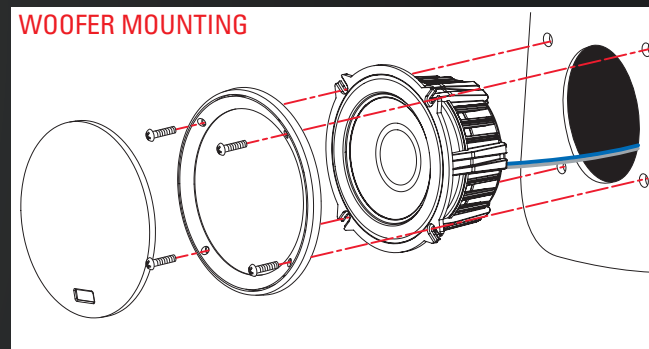


178.00mm  
 156.00mm  
 141.27mm

**TWEETER MOUNTING**



**WOOFER MOUNTING**



**MTX RECOMMENDS THAT YOU HAVE YOUR NEW SPEAKERS INSTALLED BY AN AUTHORIZED MTX RETAILER, PREFERABLY MECP CERTIFIED.**

52.72mm  
 50.80mm