



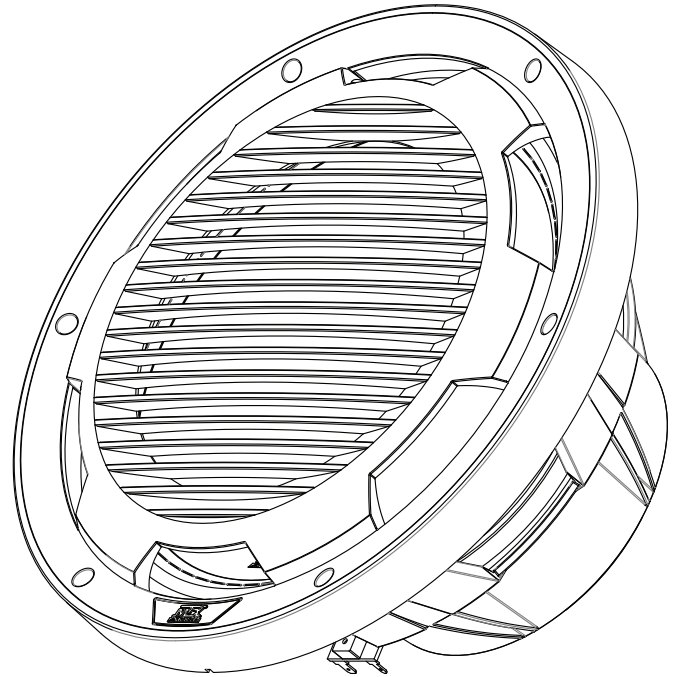
WET124-W

500W Peak Power Subwoofer

Parameters

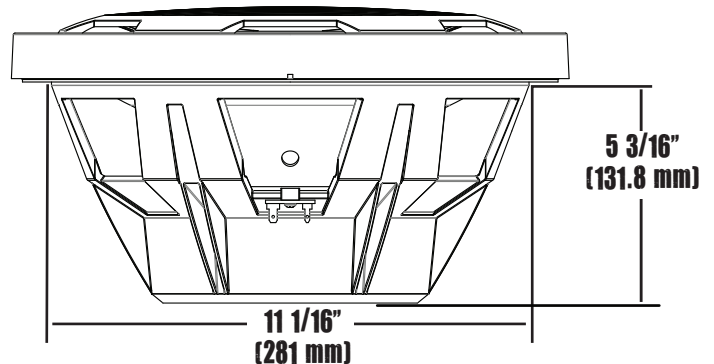
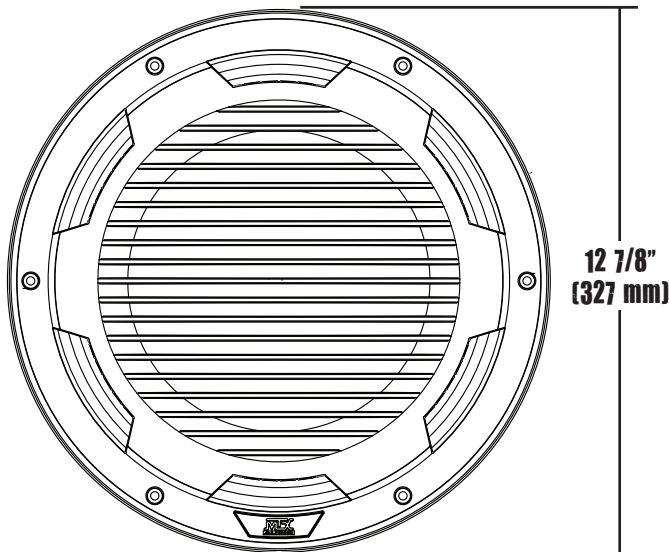
Los parámetros, Paramètres, Parameter

- Fs: 32 Hz
- Qms: 3.978
- Cms: 0.139 mm/N
- Mms: 185 g
- Rms: 9.184 kg/s
- Vas: 2.022 ft³ (57.26 liters)
- Xmax: .32 in (8.12 mm)
- D: 10.31 in (261.9 mm)
- Sd: 87.44 in² (539 cm²)
- Vd: 26.67 in³ (0.437 liters)
- Qes: 0.762
- Re: 3.3 ohms
- Bl: 12.56 Tm
- Prms: 250 Watts
- Qts: 0.64
- n₀: 0.237%
- SPL₀: 86.5 dB
- SPL 2.83V/1m: 89.9 dB



Specifications

Las especificaciones, Specifications, Spezifikationen



Recommended Power Rating of 125 - 250 Watts RMS

La Potencia nominal recomendada, Le Pouvoir recommandé Evaluant, Empfohlene Kraft Einzuschätze

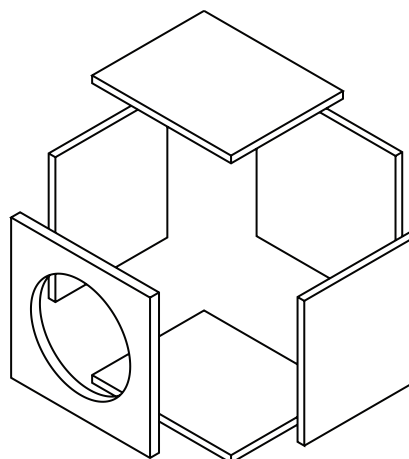
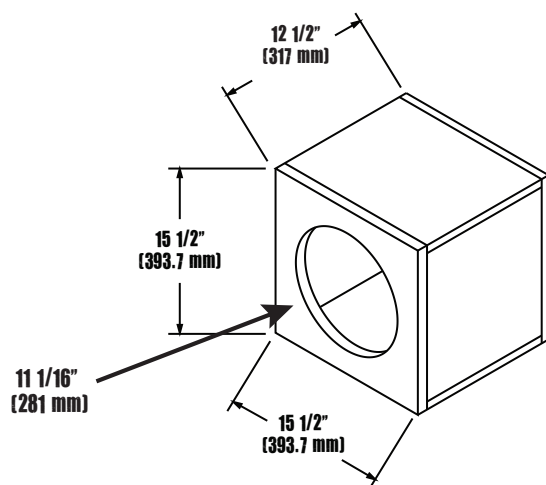
WET124-W Recommended Enclosures

For the best possible sound quality using MTX marine grade subwoofers, MTX recommends using a sealed enclosure. The WET104-W/WET124-W subwoofers can also be used in an infinite baffle application where the subwoofer will use the vehicle, usually a boat, as the enclosure so there is no need to construct an enclosure. All recommended enclosures have been designed and thoroughly tested by MTX.



Sealed Enclosure

El Cerco sellado, Cloture scellée, Abgedichtete Einschließung



Net Internal Volume: 1.00 ft³
Recommended Box Volumes: 1.00 - 1.75 ft³