



PARAMETERS

Fs	33.6 Hz
Qms	3.102
Cms	0.133 mm/N
Mms	168.4 g
Rms	11.48 kg/s
Vas	1.031 ft ³ (29.2 liters)
Xmax	0.6 in (15.24 mm)
D	8.687 in (220.6 mm)
Sd	58.92 in ² (380.13 cm ²)
Vd	35 in ³ (0.573 liters)
Qes	0.791
Re	1.71Ω
Bl	8.79 Tm
Prms	400 Watts
Qts	0.63
n0	0.135%
SPLo	83.5 dB
SPL 2.83 V/1m	90.2 dB
Disp	0.06 ft ³ (1.7 liters)

DIMENSIONS

Total Diameter	10-5/16" (261.9 mm)
Cutout Diameter	9-5/16" (236.5 mm)
Mounting Depth	5-5/8" (142.9 mm)

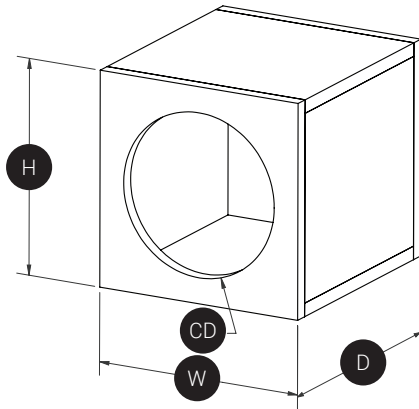
RECOMMENDED POWER RATING

200 Watts - 400 Watts RMS

RECOMMENDED ENCLOSURES

For the best possible sound quality where space is a premium, MTX recommends using a sealed enclosure. For excellent sound quality with increased output compared to sealed enclosures (3dB or more), MTX recommends using a vented enclosure. All recommended enclosures have been designed and thoroughly tested by MTX.

SEALED ENCLOSURE



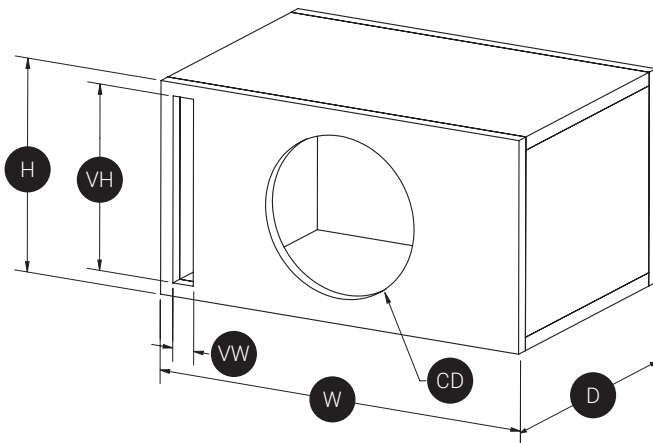
DIMENSIONS

Height	12" (304.8 mm)
Width	12" (304.8 mm)
Depth	13-1/2" (342.9 mm)
Cutout Diameter	ø9-5/16" (236.5 mm)

PARAMETERS

Material Thickness	3/4" (19 mm) MDF
Net Internal Volume	0.7 ft ³

VENTED ENCLOSURE



DIMENSIONS

Height	12" (304.8 mm)
Width	20" (508 mm)
Depth	15" (381 mm)
Vent Height	10-1/2" (266.7 mm)
Vent Width	1-1/4" (31.8 mm)
Vent Panel 1	12-1/4" (311.2 mm)
Vent Panel 2	8-1/8" (206.4 mm)
Cutout Diameter	ø9-5/16" (236.5 mm)

PARAMETERS

Material Thickness	3/4" (19 mm) MDF
Net Internal Volume	1.2 ft ³
Vent Area	13.125 in ²

