



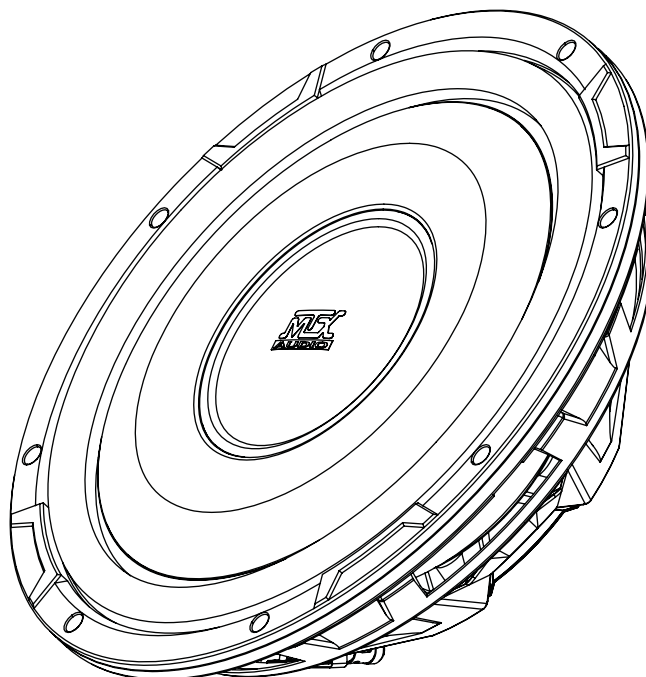
# THUNDER<sup>®</sup>

## FPR12-04

### Parameters

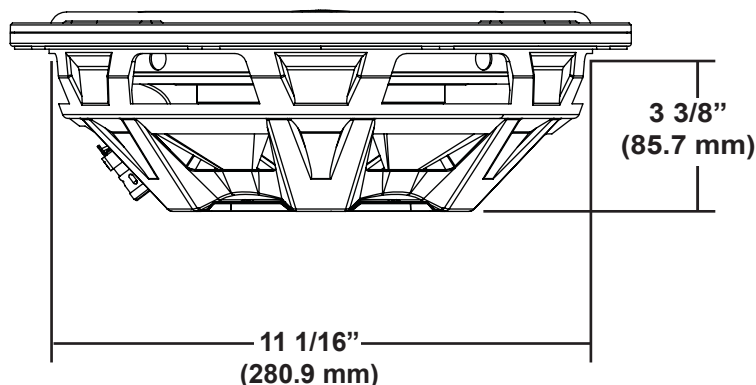
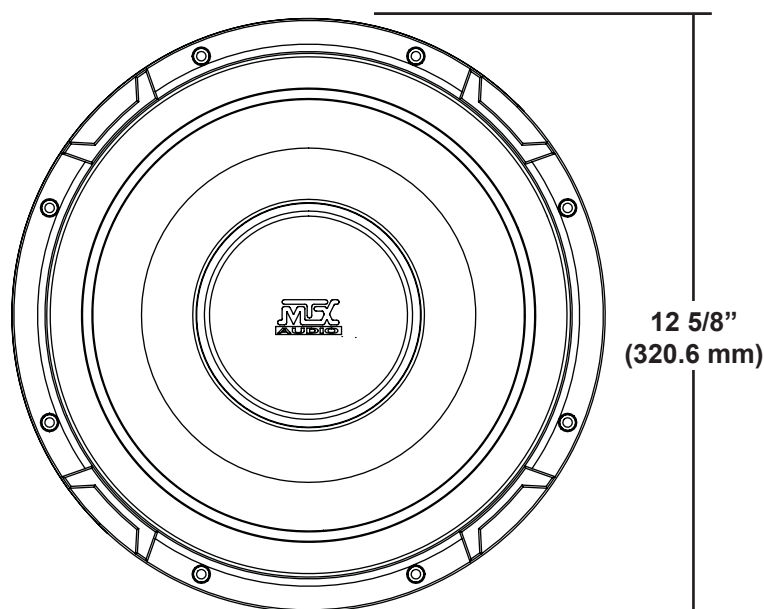
Los parámetros, Paramètres, Parameter

**Fs:** 30 Hz  
**Qms:** 5.520  
**Cms:** .0106mm/N  
**Mms:** 264.17 g  
**Rms:** 9.067 kg/s  
**Vas:** 1.558 ft<sup>3</sup> (44.13 liters)  
**Xmax:** 0.511 in (13 mm)  
**D:** 10.35 in (263 mm)  
**Sd:** 84.21 in<sup>2</sup> (543.3 cm<sup>2</sup>)  
**Vd:** 43.03 in<sup>3</sup> (0.7051 liters)  
**Qes:** 0.940  
**Re:** 3.36 Ω  
**Bl:** 13.35 Tm  
**Prms:** 400 Watts  
**Qts:** 0.80  
**η<sub>o</sub>:** 0.122%  
**SPL<sub>o</sub>:** 83 dB  
**SPL 2.83V/1m:** 86.8 dB



### Specifications

Las especificaciones, Specifications, Spezifikationen



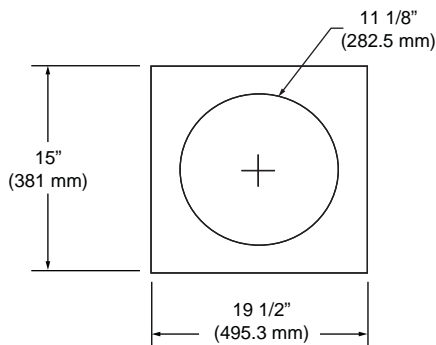
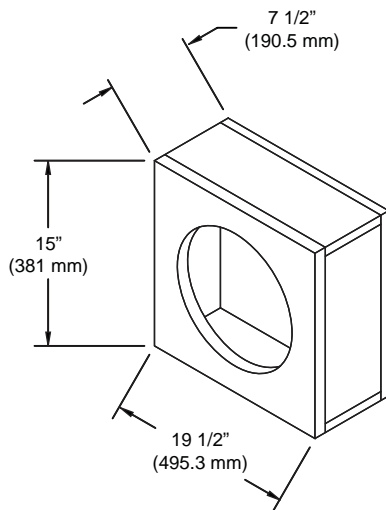
**Recommended Power Rating of 200 - 400 Watts RMS**

La Potencia nominal recomendada, Le Pouvoir recommandé Evaluant, Empfohlene Kraft Einzuschätze

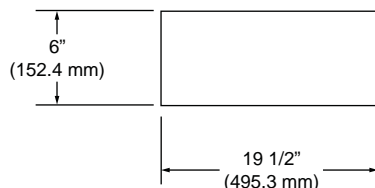
## Sealed Enclosure

*El Cerco sellado, Cloture scellée, Abgedichtete Einschließung*

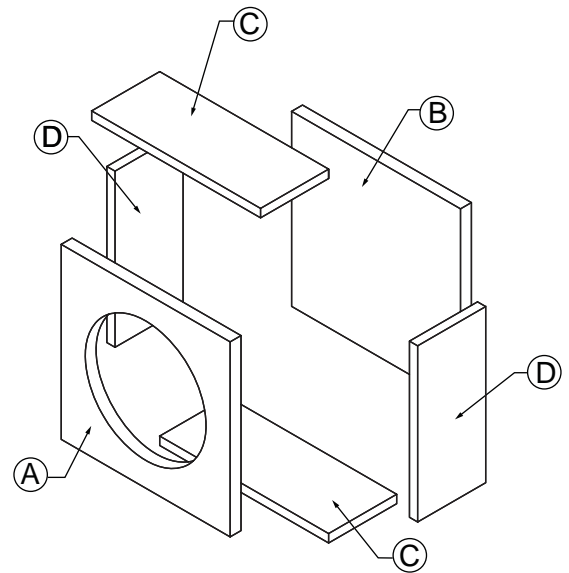
MTX Thunder Flat Piston subwoofers are designed to achieve the best possible where space is a premium. MTX FPR subwoofers are optimized to perform best in a sealed enclosure, no matter what type of music you listen to. This recommended enclosure design was designed and tested by the MTX engineering team to ensure that you are able to Feel the Thunder.



[A] - 3/4" (19 mm) MDF



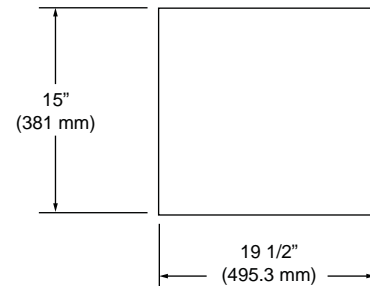
[C] - 3/4" (19 mm) MDF



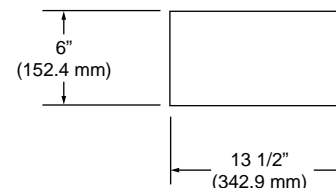
Net Internal Volume: 0.84 ft<sup>3</sup>  
Recommended Box Volume: 0.75 - 0.95 ft<sup>3</sup>

## Parts List

*La Lisat de partes, Liste de parties, Ersatzteilliste*



[B] - 3/4" (19 mm) MDF



[D] - 3/4" (19 mm) MDF

MTX products purchased in the USA from an authorized MTX dealer are guaranteed against defects in material and workmanship for a period of 1 year, the warranty period begins the day the product is purchased by the end user. This warranty is limited to the original retail purchaser of the product. Product found to be defective during that period will be repaired or replaced by MTX at no charge. This warranty is void if it is determined that unauthorized parties have attempted repairs or alterations of any nature. Warranty does not extend to cosmetics or finish. Before presuming a defect is present in the product, be certain that all related equipment and wiring is functioning properly. MTX disclaims any liability for other incurred damages resulting from product defects. Any expense in the removal or reinstallation of products are not covered by this warranty. MTX's total liability will not exceed the purchase price of the product. If a defects is present, your authorized MTX dealer may be able to effect repairs.

Proof of purchase is required when requesting service, so please retain your sales receipt, and take a moment to register your product on line at MTX.com. Also, a Return Authorization number (RA) is required before shipping product back to MTX, call 1-800-556-2888 or 1-608-328-5560 for speaker RA's.