

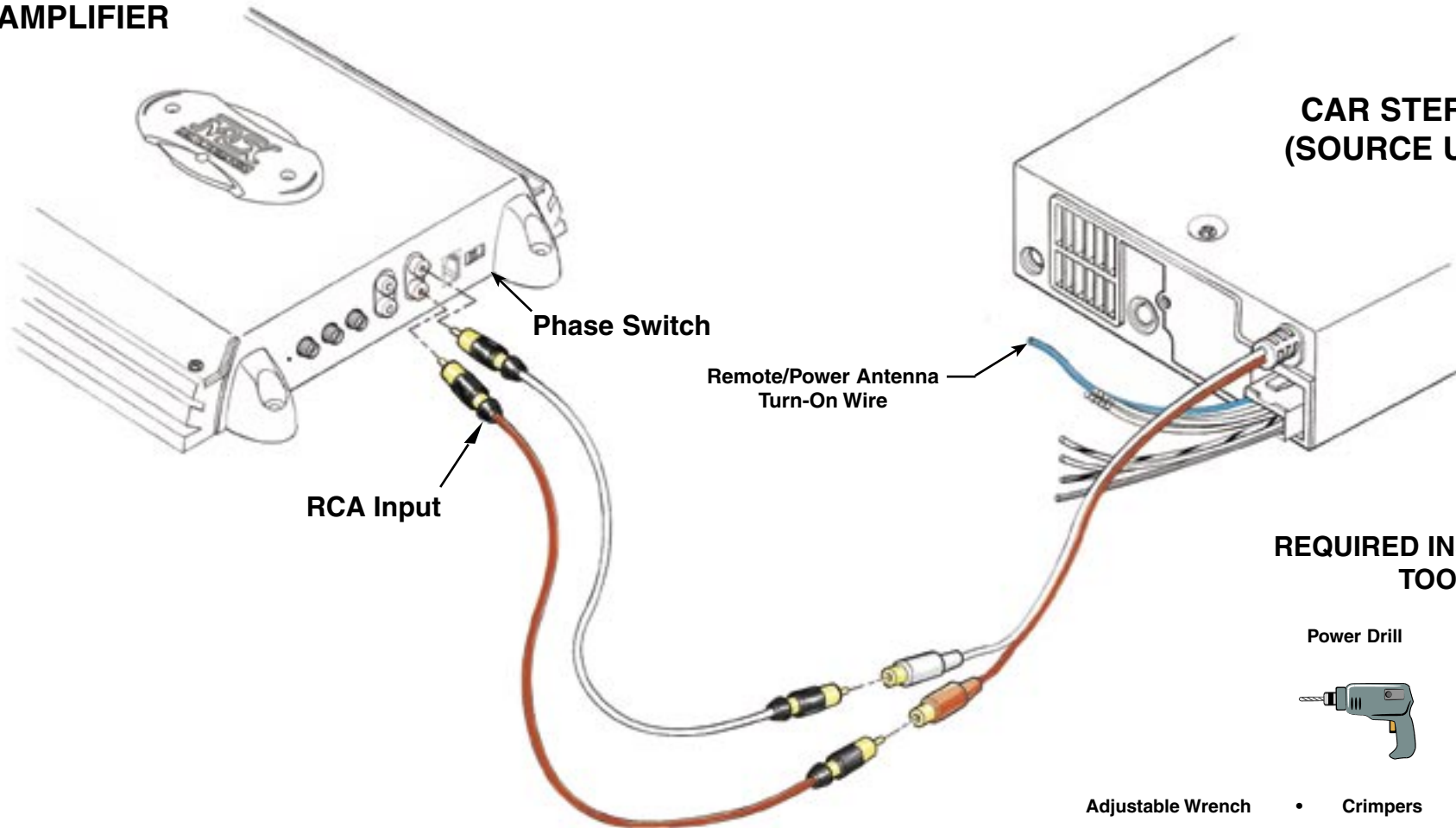


THUNDER1501D

Amplifier Input Connections

AMPLIFIER

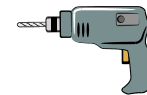
CAR STEREO
(SOURCE UNIT)



REQUIRED INSTALLATION TOOLS:

Power Drill

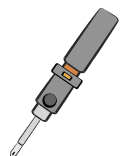
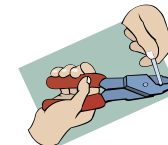
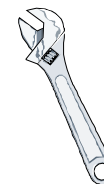
Utility Knife



Adjustable Wrench

• Crimpers

• Screw Driver



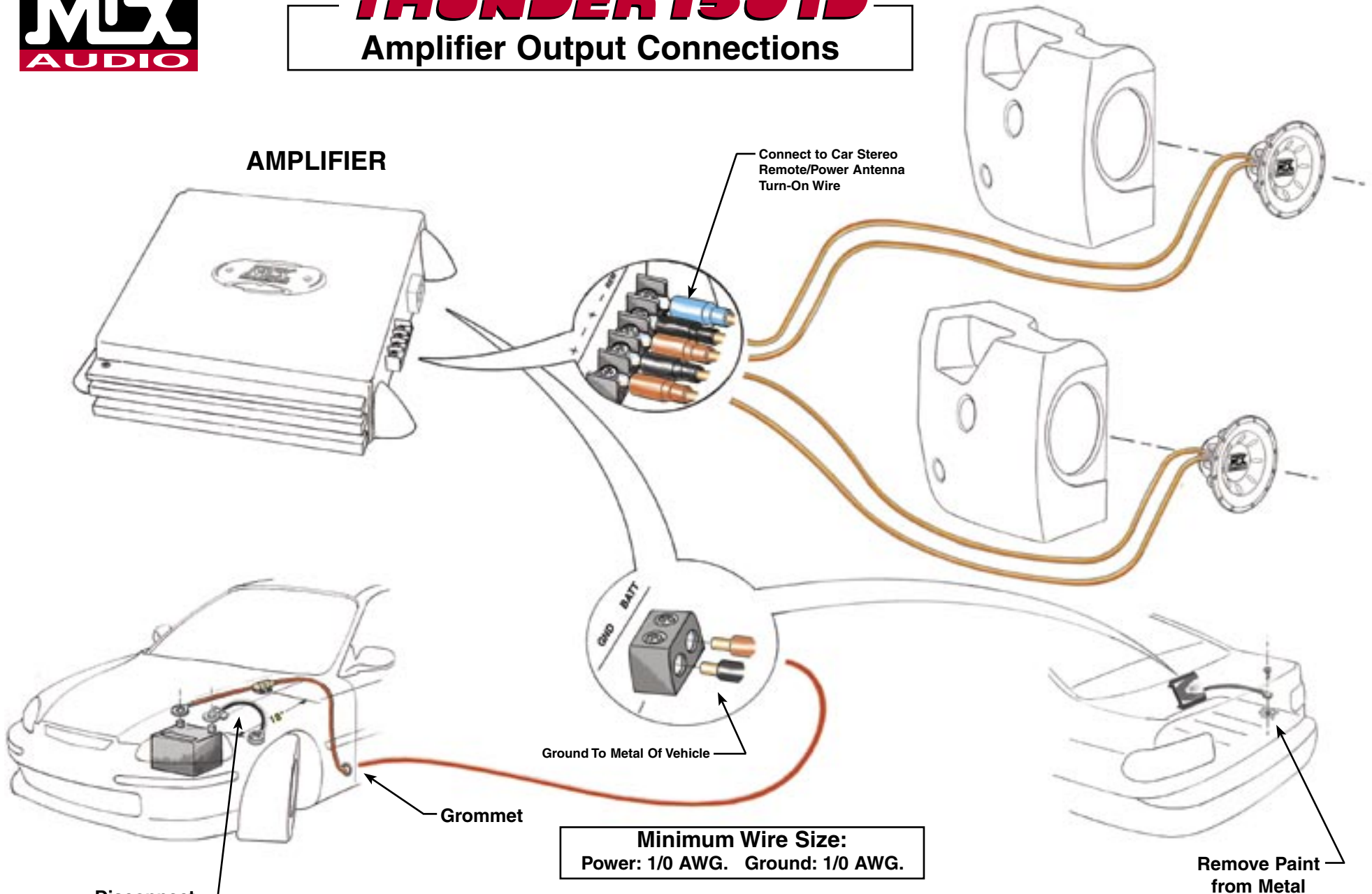
For installation options go to mtx.com

Part #: NDM229



THUNDER1501D

Amplifier Output Connections



CAUTION: This amplifier may draw in excess of 150 Amps of current. Upgrading the vehicle's factory battery and alternator may be required. (For specific details, contact your local authorized MTX dealer, or call 1-800-CALL-MTX.)

For installation options go to mtx.com