

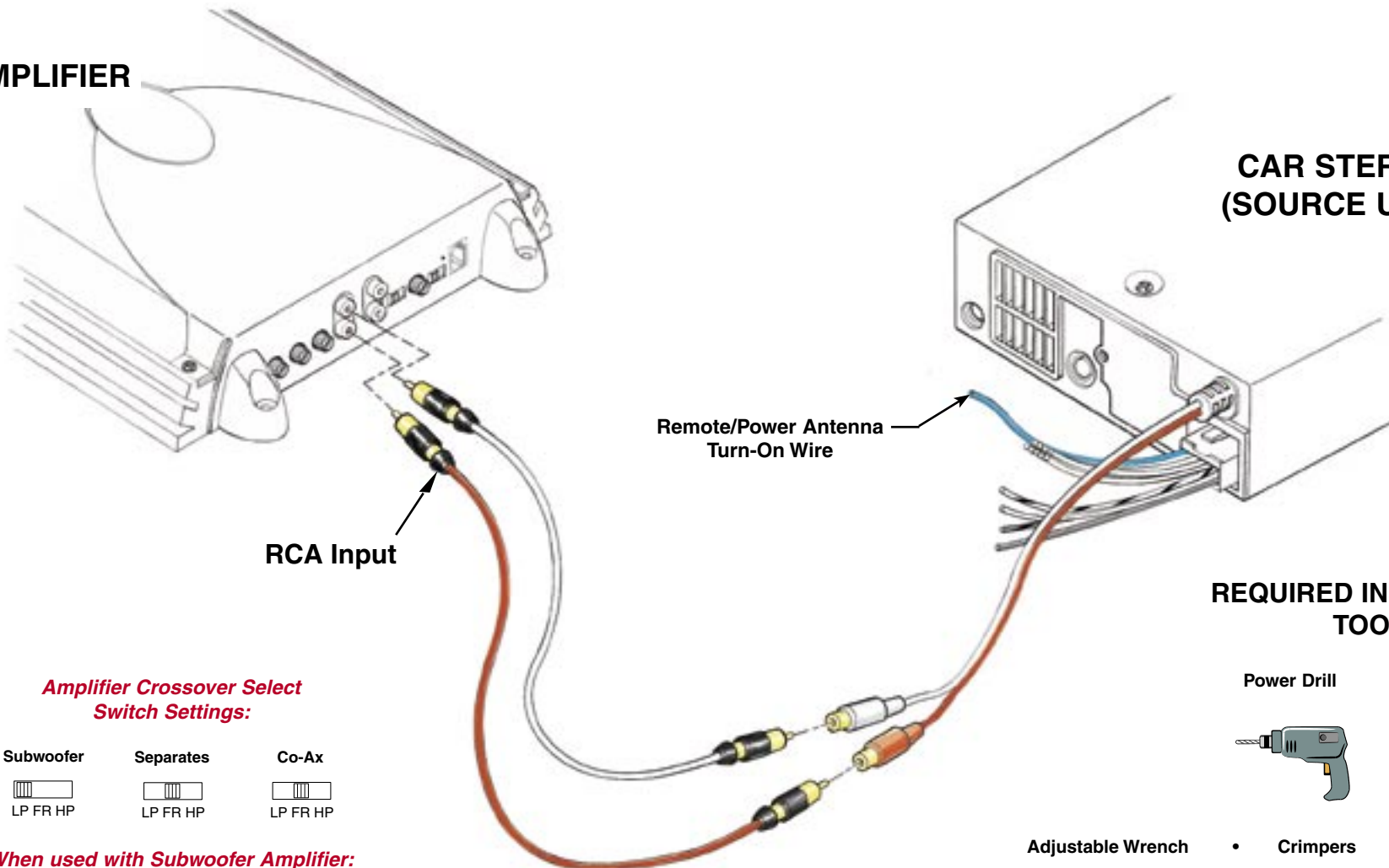


THUNDER 942

Amplifier Input Connections

AMPLIFIER

CAR STEREO
(SOURCE UNIT)



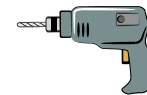
RCA Input

Remote/Power Antenna
Turn-On Wire

REQUIRED INSTALLATION TOOLS:

Power Drill

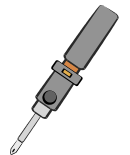
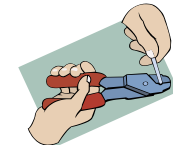
Utility Knife



Adjustable Wrench

• Crimpers

• Screw Driver



Amplifier Crossover Select Switch Settings:

Subwoofer

Separates

Co-Ax



LP FR HP

LP FR HP

LP FR HP

When used with Subwoofer Amplifier:

Separates

Co-Ax



LP FR HP

LP FR HP

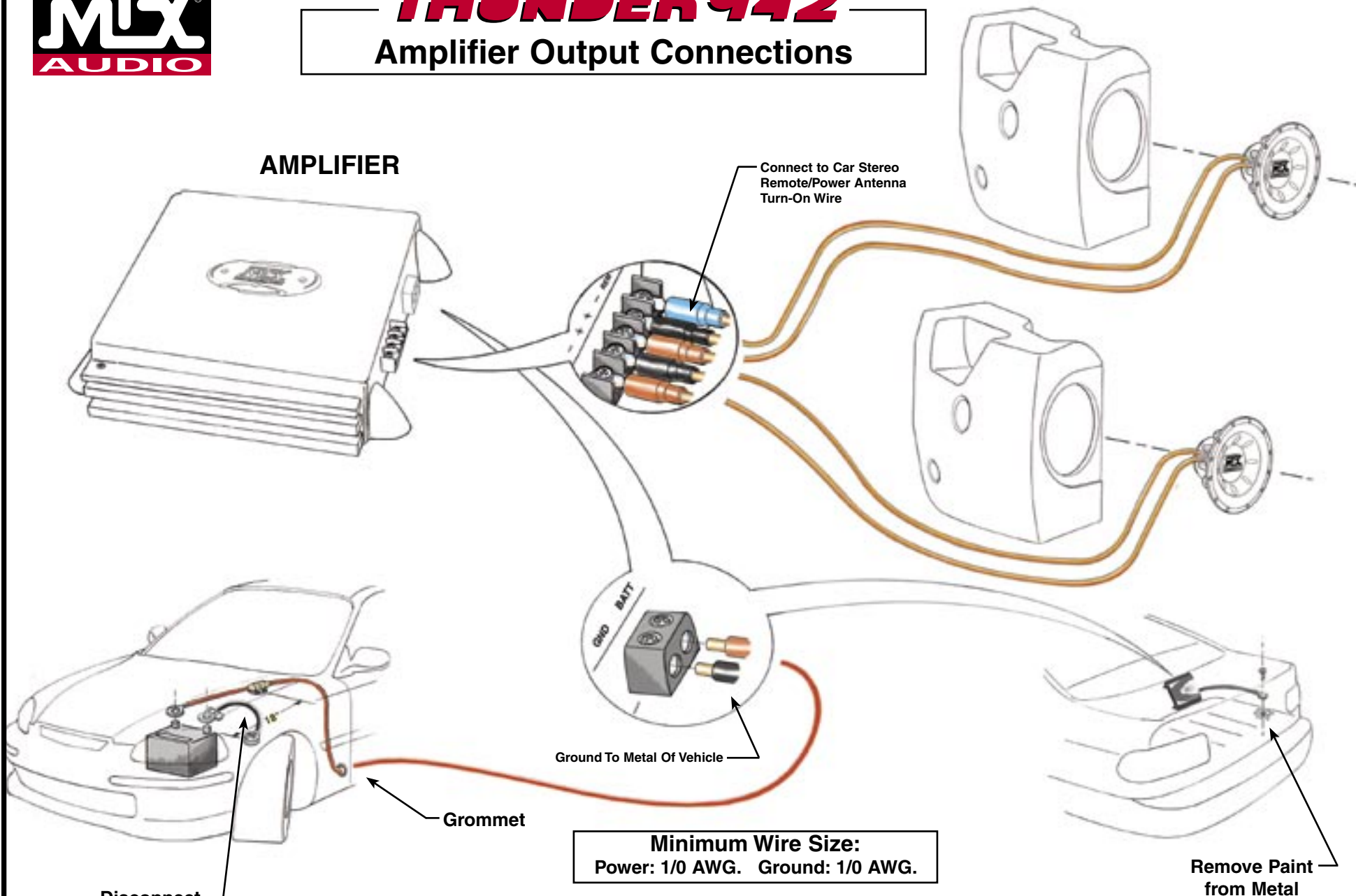
For installation options go to mtx.com

Part #: NDM242



THUNDER 942

Amplifier Output Connections



Disconnect Battery Negative (-) Cable Prior to Installing Amplifier

CAUTION: This amplifier may draw in excess of 150 Amps of current. Upgrading the vehicle's factory battery and alternator may be required. (For specific details, contact your local authorized MTX dealer, or call 1-800-CALL-MTX.)

For installation options go to mtx.com