

specifications

dimensions

- height: 76" (193cm)
- diameter: 15 3/4" (40cm)
- weight: 37lbs (16.8kg)
- power requirement: 120VAC, 60Hz

lamp

- detachable cosmetic arms
- 1" (25mm) sleek pole
- metallic black finish
- brushed metal accents
- 100W A19, medium screw (E26) bulb suggested (not included)
- floor foot dimmer

audio

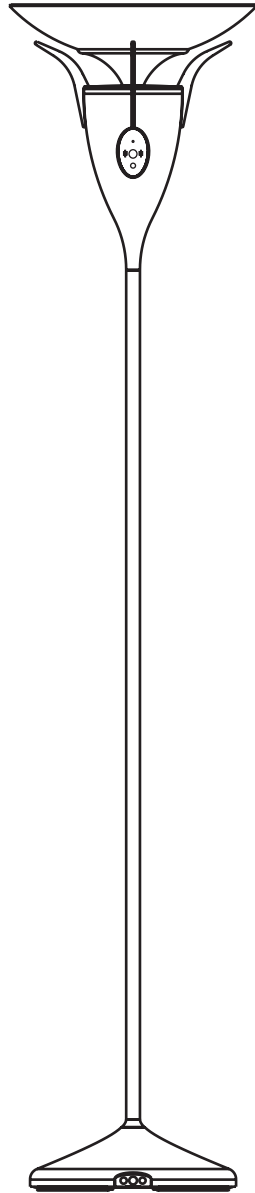
- selectable stereo wireless or 3.5mm stereo input
- 3.5mm stereo line output
- selectable left, right, or mix speaker output

speaker

- 5 1/4" (133mm) paper cone full range speaker
- patent pending 360° sound dispersion

wireless

- 2.4GHz stereo receiver
- 4 selectable signal channels
- 20Hz-20kHz full range audio
- 300ft (90m) maximum line of sight reception

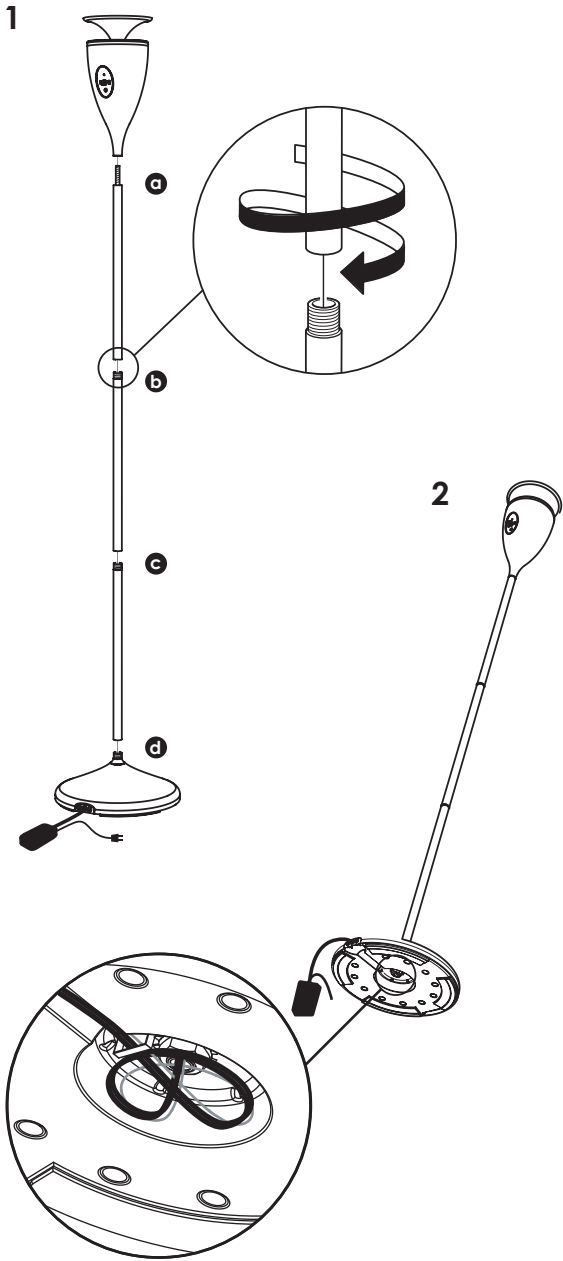


SOUNDOLIER®
wireless speaker lamp

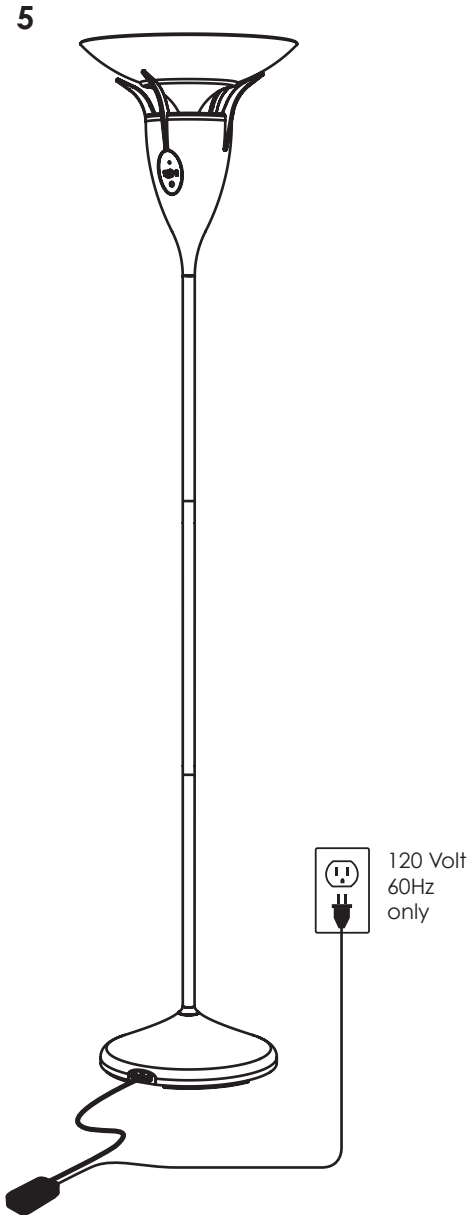
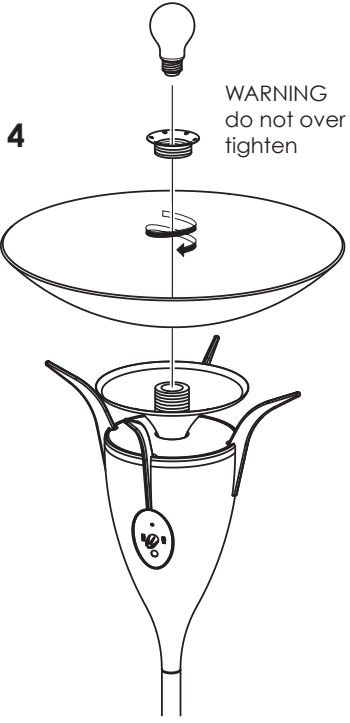
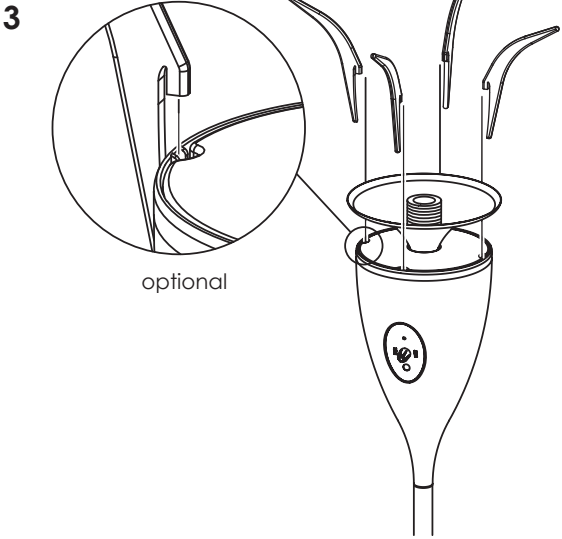
duo™

sound & light

assembly guide



wrap up excess cord



important safety instructions

To avoid the risk of electrical shock, the Soundolier wireless speaker lamp is designed with a polarized plug. Align the wider prong with the matching outlet socket to supply power. **DO NOT FORCE THE PLUG INTO THE OUTLET.** If it does not fit, consult a qualified electrician. Improper use may result in electric shock or fire.

Do not hang or attach items that were not intended for use with the duo. Additional weight may make the unit unstable and top heavy, resulting in damage or possible injury if tipped over.



warning
Designed for use with incandescent bulbs only. Not for use with halogen or fluorescent light bulbs.

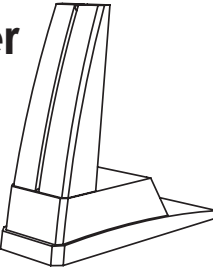
fcc compliant

Lamp: FCC Title 47, Part 15 & Part 18
Wireless Transmitter: FCC Title 47, Part 74

Soundolier wireless audio transmitter

(available separately, or included with DUO-CP)

Soundolier wireless speaker lamp is designed for use wirelessly with the Soundolier wireless audio transmitter (maestro) available from your Soundolier dealer.



contact information

Thank you for purchasing the Soundolier wireless speaker lamp. For technical assistance or if you have questions/comments, please contact us by phone at 1-800-837-7879 or by e-mail: duolamp@mitekcorp.com.

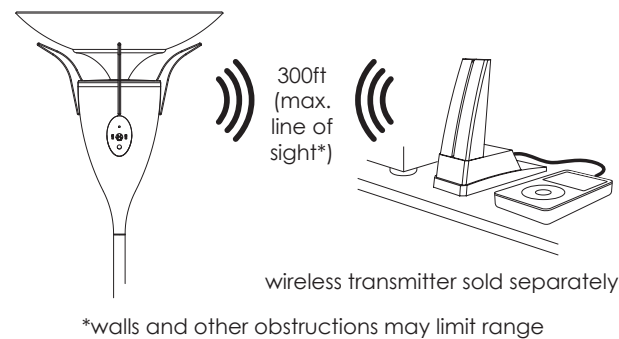
warranty

Soundolier wireless products purchased in the United States from authorized dealers are guaranteed against defects in material and workmanship for a period of 90 days. The warranty period begins the day the product is purchased by the end user. This warranty is limited to the original retail purchaser of the product. Product found to be defective during that period will be repaired or replaced by Soundolier at no charge. This warranty is void if it is determined that unauthorized parties have attempted repairs or alterations of any nature. Warranty does not extend to cosmetics or finish. Before presuming a defect is present in the product, be certain that all related equipment and wiring is functioning properly. Soundolier disclaims any liability for other incurred damages resulting from product defects. Any expenses incurred in the removal and reinstallation of product is not covered by this warranty. Soundolier's total liability will not exceed the purchase price of the product. Shipping charges incurred to send the product in for warranty service shall be paid by the customer. Return shipping from service center to the customer will be paid by Soundolier. Proof of purchase is required when requesting service, so please retain your sales receipt. Also, a Return Authorization number (RA) is required before shipping product back to Soundolier, call 800-837-7879. Retain original packaging for all warranty returns.

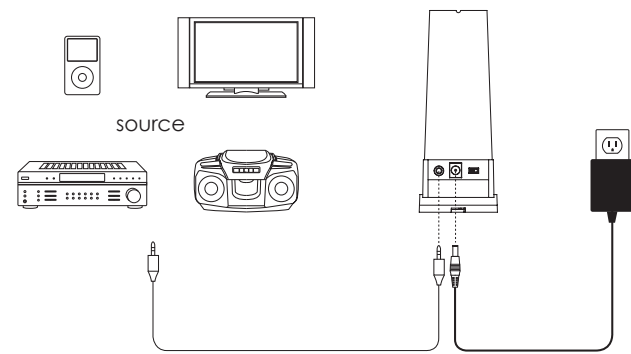
Soundolier Duo contains patent pending technology.

setup guide

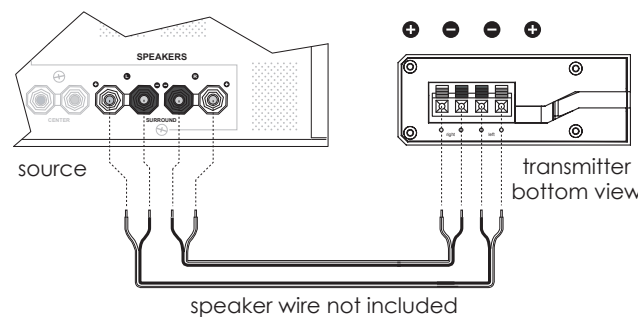
wireless mode



transmitter wiring - option a

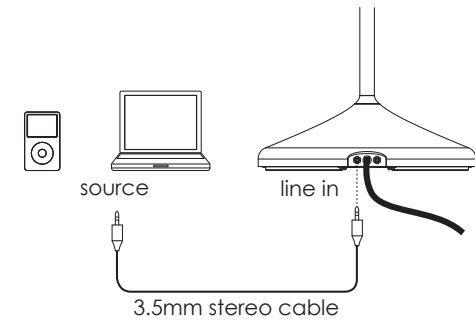


transmitter wiring - option b

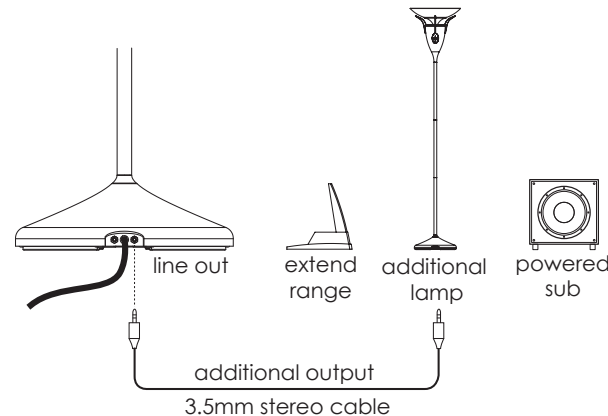


be sure to also plug-in the power supply as shown in option a

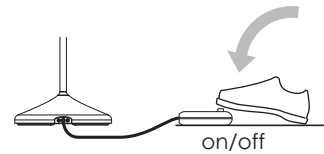
input directly to wireless speaker lamp



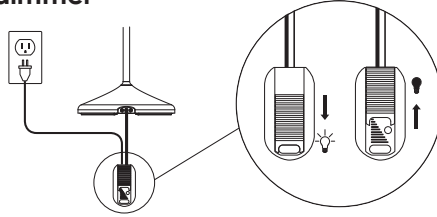
output directly from wireless speaker lamp



audio power switch

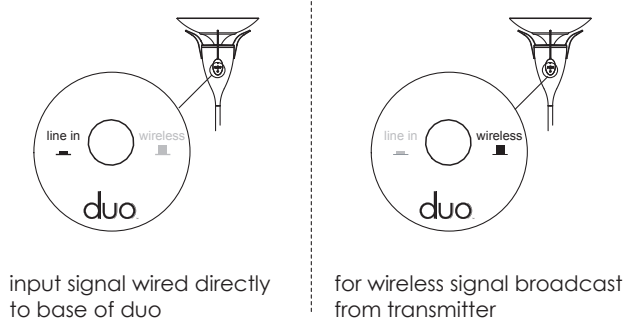


built-in dimmer

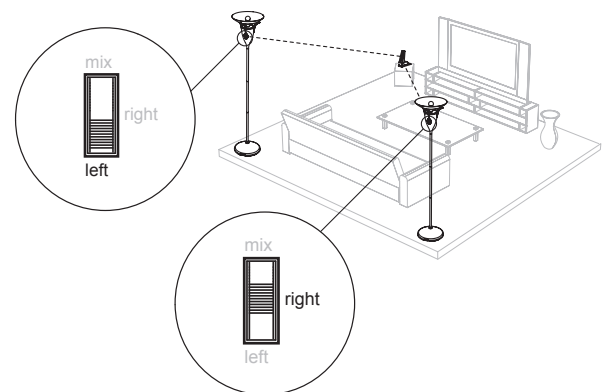


interface guide

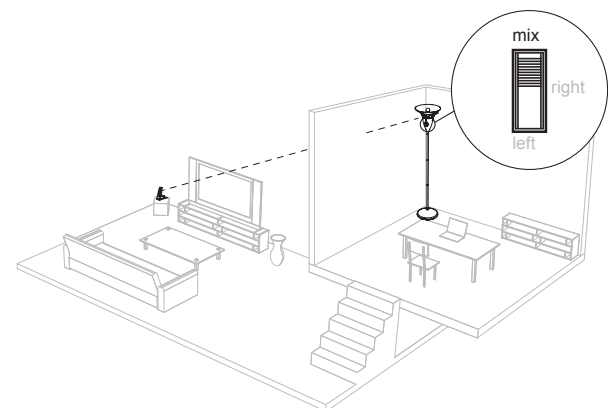
feature 1: line in/wireless - push button



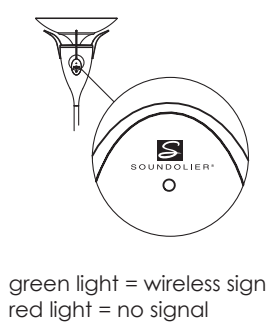
feature 2: left/right - used as rear speakers in home theater



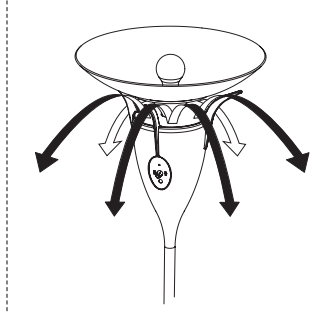
feature 3: mix - receive two-channel signal



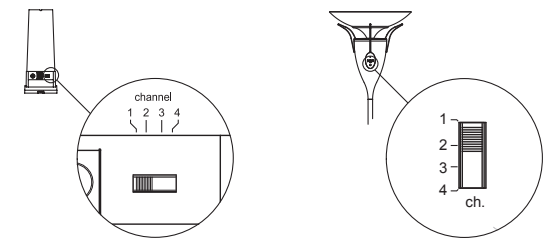
feature 4: wireless signal detection



feature 5: unique 360° sound dispersion



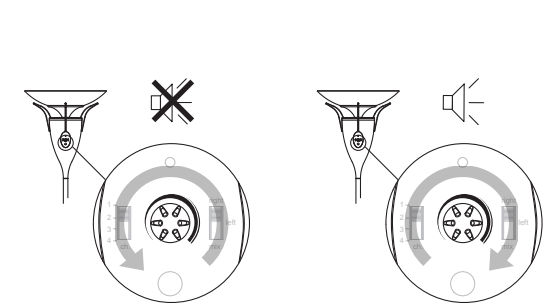
feature 6: wireless transmission channel select



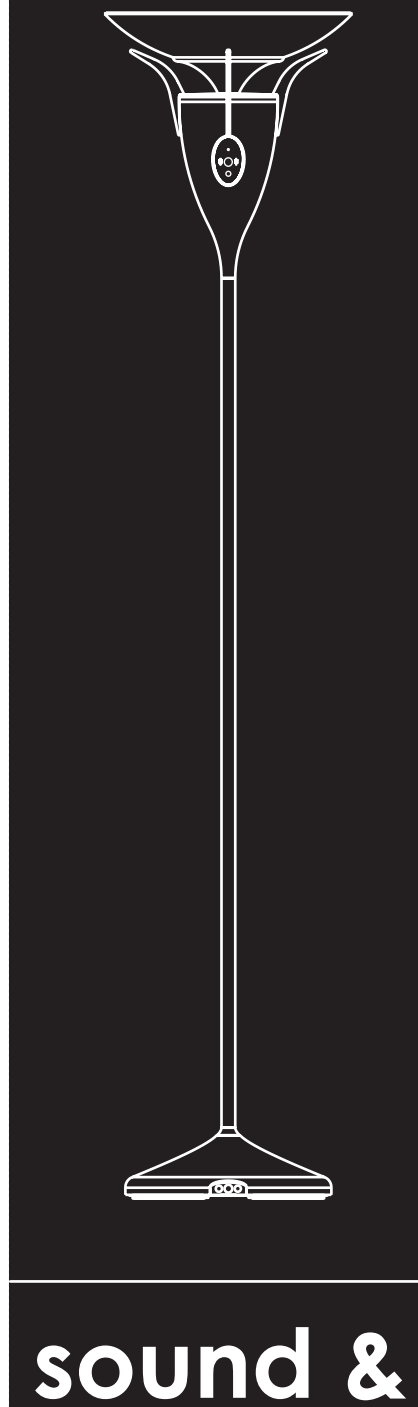
* if wireless signal interferes with other devices, change both the wireless speaker lamp and the wireless transmitter to different corresponding channels

* possible devices of interference include cordless phones, satellite radio, and wireless computer networks

feature 7: volume control - on the lamp



Soundolier, 1 Mitek Plaza, Winslow, IL 61089
 © 2007 Soundolier. Soundolier, Maestro, Duo, & Epico are trademarks of Mitek Corp. All rights reserved.
 Due to continued product development, all specifications are subject to change without notice.
 MKC002496 RevC 6/07 NDM517



sound &